



INSTRUCTION BULLETIN

No. 340838
Machine: T20
Published: 07-2007
Rev. 00

NOTE: DO NOT DISCARD the Parts List from the Instruction Bulletin. Place the Parts List in the appropriate place in the machine manual for future reference. Retaining the Parts List will make it easier to reorder individual parts and will save the cost of ordering an entire kit.

NOTE: Numbers in parenthesis () are reference numbers for parts listed in Bill of Materials.

Installation instructions for **kit number 9003135**

SYNOPSIS:

This kit contains the parts needed to install a rear squeegee protector onto T20 machines. Please follow step-by-step instructions.

SPECIAL TOOLS / CONSIDERATIONS: NONE

(Estimated time to complete: 1 hour)

PREPARATION:

1. Park the machine on a clean level surface, turn off the machine, remove the key, and set the parking brake.

FOR SAFETY: Before leaving or servicing machine, stop on level surface, set parking brake, turn off machine, and remove key.

INSTALLATION:

1. Use two hex screws (16) and two flat washers (17) to mount a squeegee guard (15) onto each side of the machine. Refer to Fig. 1.

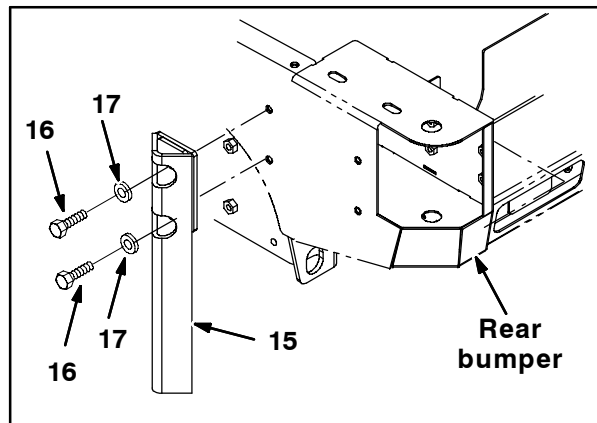


FIG. 1

NOTE: Use hardware from the tank guard to mount the squeegee guards (15) if the machine is equipped with the tank guard option.

2. Use a hex screw (8) and a flat washer (4) to install a bumper (7) onto each squeegee guard channel (6). Refer to Fig. 2.

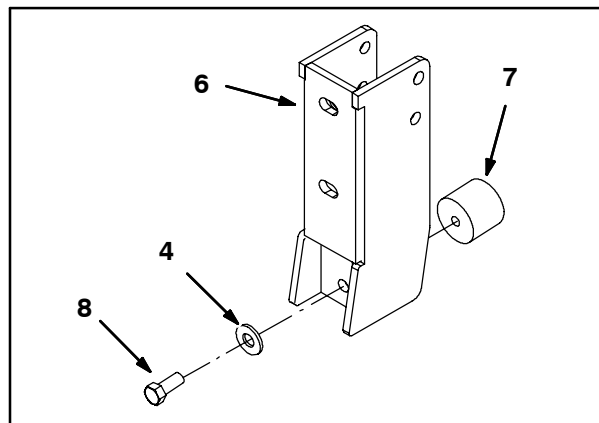


FIG. 2

- Slide the links (3) into the holes in the frame of the machine where the rubber wheels were located, align the links with the mounting holes in the frame, and use four hex screws (5), four flat washers (4), and two links to mount the right rear support (2) to the right side of the machine. Refer to Fig. 3.

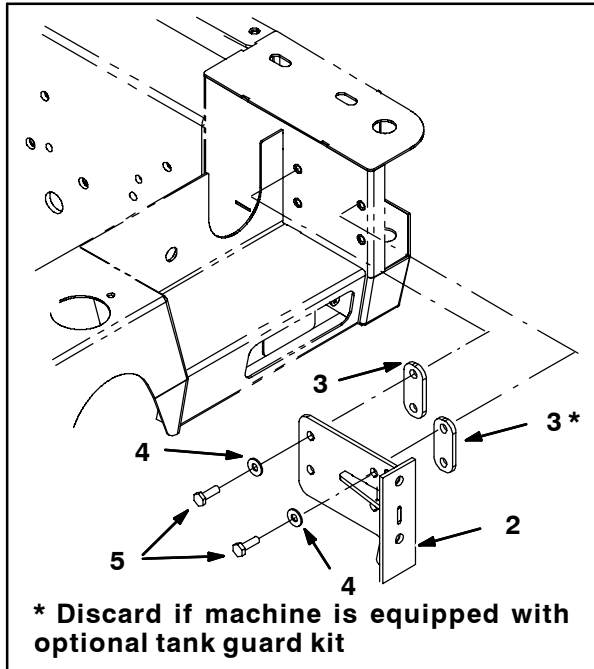


FIG. 3

NOTE: The rear most links (3) used to mount the right rear support (2) and the left rear support (1) in Step 3 and Step 4 are not needed and can be discarded if the machine is equipped with the optional tank guard. Discard any extra hardware.

- Repeat the previous step to mount the left rear support (1) to the left side of the machine. Refer to Fig. 4.

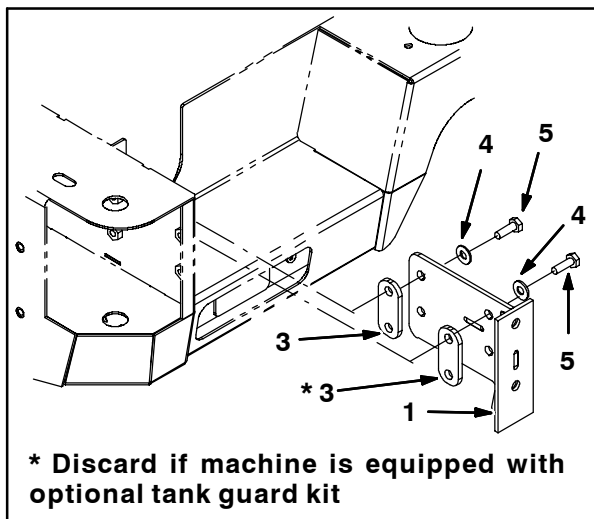


FIG. 4

- Use two hex screws (5) and two flat washers (4) to install a squeegee guard channel (6) onto the right rear support (2) and the left rear support (1). Refer to Fig. 5.

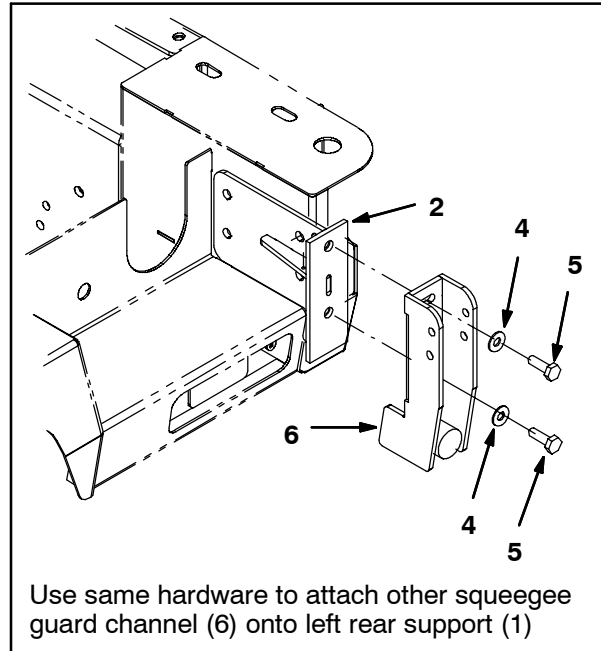


FIG. 5

- Install the hitch pin (12) onto the cable (13). Refer to Fig. 6.

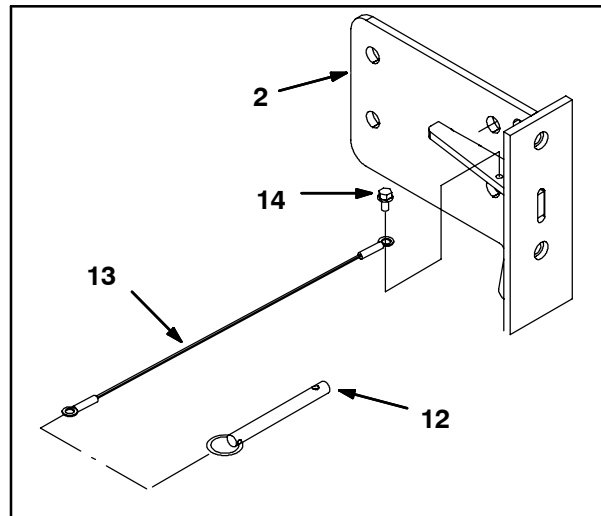


FIG. 6

- Use a hex screw (14) to install the cable (13) onto the right rear support (2). Refer to Fig. 6.
- Use two hex screws (10), four flat washers (4), and two hex nuts (11) to mount the rear squeegee guard (9) onto the squeegee guard brackets (9). Refer to Fig. 8.

9. To engage the rear squeegee protector, pull the pin, lower the protector bar, and reinsert the pin. Refer to Fig. 7.

10. To disengage the rear squeegee protector, pull the pin, raise the protector bar, and reinsert the pin. Refer to Fig. 7.

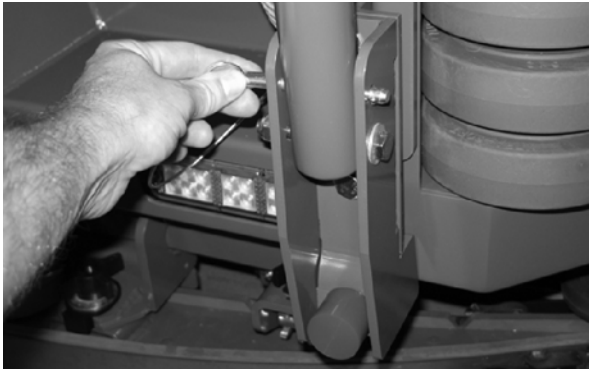


FIG. 7

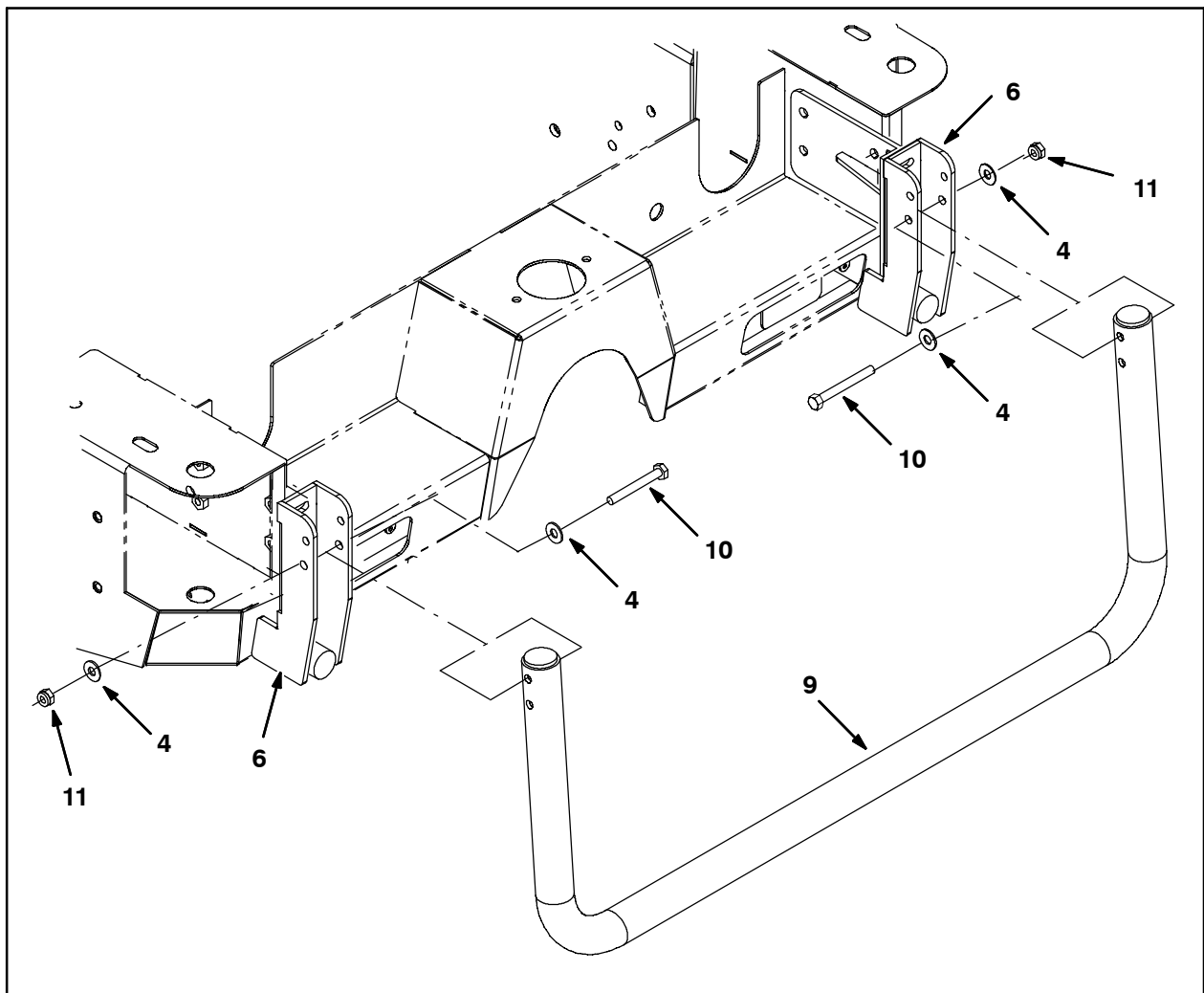


FIG. 8

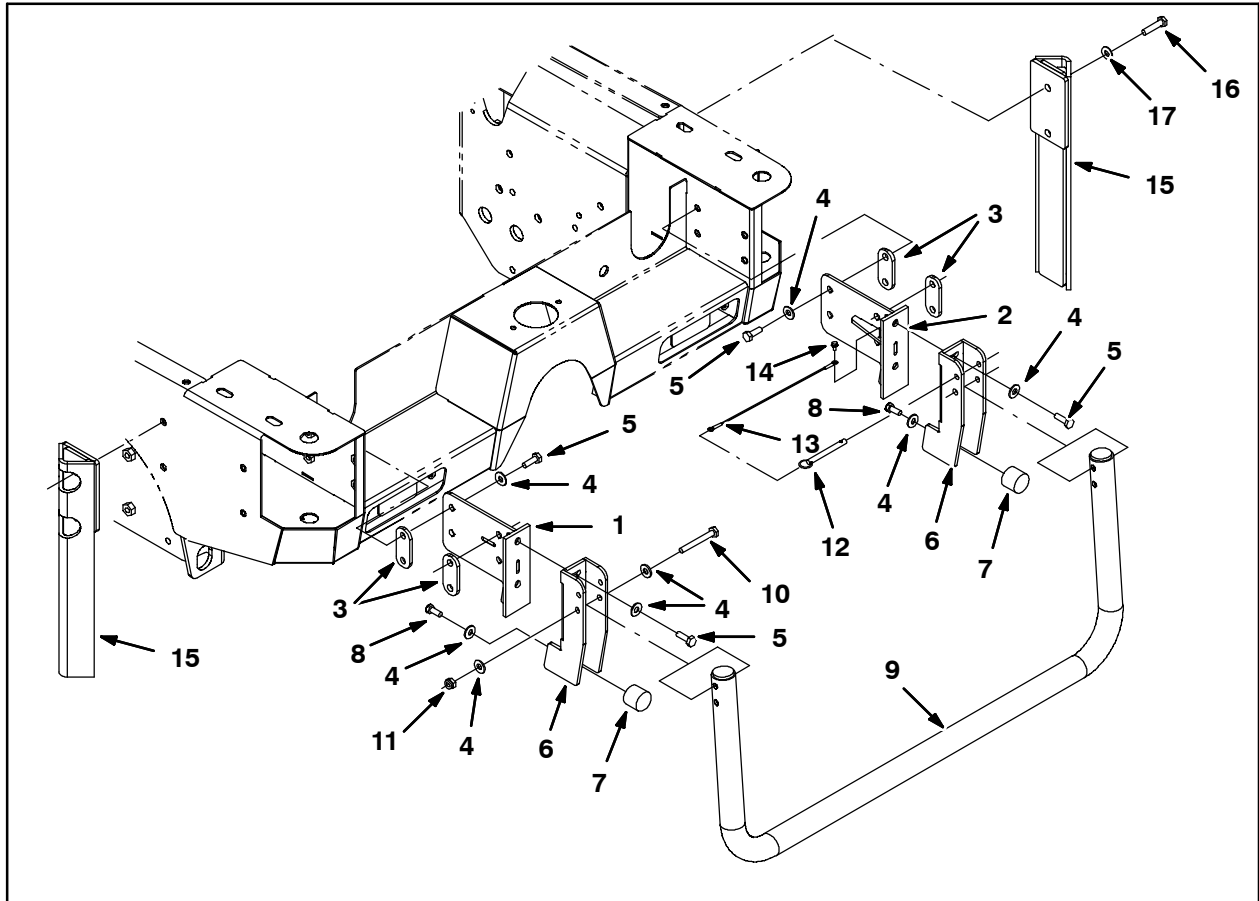


FIG. 9

Bill of Materials for Guard Kit, Sqge, CI [T20]-9003135

Ref.	Tennant Part No.	Description	Qty.
▽	9003135	Guard Kit, Sqge, CI [T20]	1
▲	1 1030557	Support Wldt, Sqge, LH Rear	1
▲	2 1030503	Support Wldt, Sqge, RH Rear	1
▲	3 1030522	Link, 0.25, 1.4W 03.2L, 2/0.5H	4
▲	4 01686	Washer, Flat, 0.44B 1.00D .08, SS	18
▲	5 12317	Screw, Hex, M10 X 1.5 X 30, SS	12
▲	6 1030515	Channel Wldt, Guard, Sqge	2
▲	7 1024977	Bumper, Ure, 1.50D 1.25L	2
▲	8 21196	Screw, Hex, .38-16 X 0.88, G5	2
▲	9 1026746	Guard Wldt, Sqge, Rear, Pntd	1
▲	10 06965	Screw, Hex, M10 X 1.5 X 80, 8.8	2
▲	11 08714	Nut, Hex, Lock, M10 X 1.5, NL, SS	2
▲	12 369359	Pin, Hitch, .375D X 3.12L, PL	1
▲	13 57702	Cable, Glv, .06D 012.0L .26Eye / .26Eye	1
▲	14 223198	Screw, Hex, M5 X 0.8 X 10, Fmg	1
▲	15 1025663	Guard Wldt, Sqge	2
▲	16 06962	Screw, Hex, M10 X 1.5 X 45, 8.8	4
▲	17 32492	Washer, Flat, 0.38, Std	4

TENNANT COMPANY
P. O. Box 1452
Minneapolis, MN 55440-1452